

**Bari** Wood Stove

by **hase** 



BARI MODEL 8170 SILVER GRAY + SOAPSTONE

# Fine European Design – Amazing Spectacle of Fire



## FINISH OPTIONS:



Silver Grey



Charcoal

## PANEL OPTIONS:



Soapstone



Lava



Alabaster

Choose the stove color and panel set that best complements your home.

Additional finish options are available by special order. Inquire with your dealer or visit [www.hase.de](http://www.hase.de)

Bari stove featured in Charcoal/Lava.

## BARI 8170

### FEATURES AND BENEFITS

- **Rotating Design Maximizes Convenience** - View flames from around the room
- **Soapstone Or Ceramic Tiles** - Store and radiate heat
- **Multiple Color Options** – Special order for personalization
- **Generous Firebox** – Burn 17" logs vertically
- **Double Steel Wall Construction** – Reduced clearances, encourages airflow, moves heat throughout home
- **Secondary Burn Combustion System** – Clean burning, efficient, reduces creosote build-up
- **Ash Pan** – Easy to clean, easily accessible

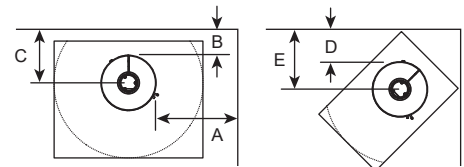
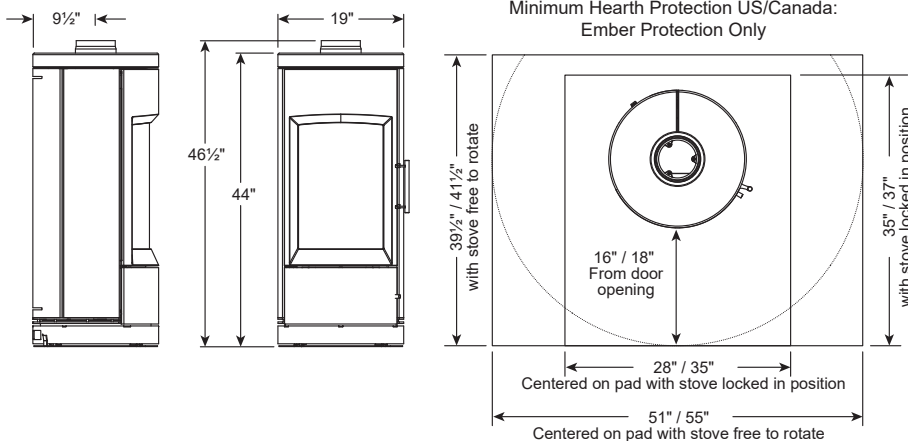
### SPECIFICATIONS

Heats up to.....	1,400 sq ft
Firebox Capacity.....	1.4 cu ft
BTU.....	Up to 35,000
EPA Certified.....	3.6 g/hr
Efficiency.....	82% LHV, 76% HHV
Burn Time.....	Up to 6 hours
Maximum Log Length.....	17"
Flue Exit & Diameter.....	Top - 6"
Ash Pan.....	Included
Rear Heat Shield.....	Integral
Rotation.....	180°
Actual Weight.....	475 lbs
Alcove Certified.....	Yes
Mobile Home Certified.....	Yes

### ACCESSORIES

Outside Air Adaptor.....	91-53700
Mobile Home Anchor.....	91-99400

### CLEARANCES TO COMBUSTIBLE MATERIALS



	Single-wall pipe	Double-wall pipe
A	38"	38"
B	17" *	17" *
C	26 1/2" *	26 1/2" *
D	12" **	12" **
E	21 1/2" **	21 1/2" **

\* Stove free to rotate, \*\* Stove locked in position