

# Waitsfield DX DV Gas Stove



WAITSFIELD DX MODEL 8770 BROWN MAJOLICA ENAMEL

# Panoramic Three-Sided Viewing Plus Efficient Performance



## FINISH OPTIONS:



Matte Black



Brown Majolica Enamel



Basil Enamel

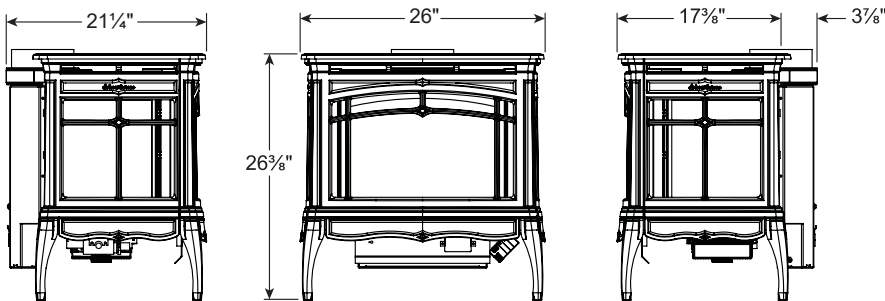


Barn Red Enamel



## WAITSFIELD DX MODEL 8770 FEATURES AND BENEFITS

- **3-sided viewing** - Provides warmth and ambiance throughout the room
- **Reflective glass interior** - Magnifies the glow and depth of the fire
- **Child-safe certified glass barriers** - Ensures safety within your home
- **Remote Control** - Offers flame adjustment, blower speed adjustment, thermostatic mode, programmable timer
- **Cast iron heat exchanger** - Maximizes heat output and efficiency
- **Integrated 110 CFM convection blower** - Circulates warm air quietly
- **Ceramic logs and burner** - Simulates a realistic wood fire
- **2-Stage burner** - Offers a wide range of heat output
- **Efficient on-demand pilot** - Conserves energy in warm weather, provides reliability in cold weather
- **Secure battery power** - Operates the stove during a power outage (Requires 110V for blower)
- **Direct-Vent technology** - Draws combustion air from outside to reduce drafts and maintain indoor air quality



## CLEARANCES

- Rear .....2" (51mm)
- Side .....16" (407mm)
- Corner .....11" (280mm)
- Floor Protection: Non-combustible surface or wood floor

Refer to Owner's Manual for exact specifications prior to installation.

## SPECIFICATIONS

Heats up to .....	1,800 sq ft
Steady State Efficiency .....	77.4%
P.4.1.09 Fireplace Efficiency .....	70.0%
Burn Rate Range NG .....	18,000-37,000 BTUs/hr
Burn Rate Range LP .....	16,000-37,000 BTUs/hr
Venting .....	Top, 4" x 6-5/8" DV
Ignition System .....	Maxitrol GV60
Burner .....	2-Stage Ceramic Burner
Convection Blower .....	Included
Remote Control .....	Included
Safety Barrier Screens .....	Included
LP Conversion Kit .....	Included
Mobile Home Certified .....	Yes
Weight .....	200 lbs.

## ACCESSORIES

Wall Touch Pad .....	7000-260
----------------------	----------