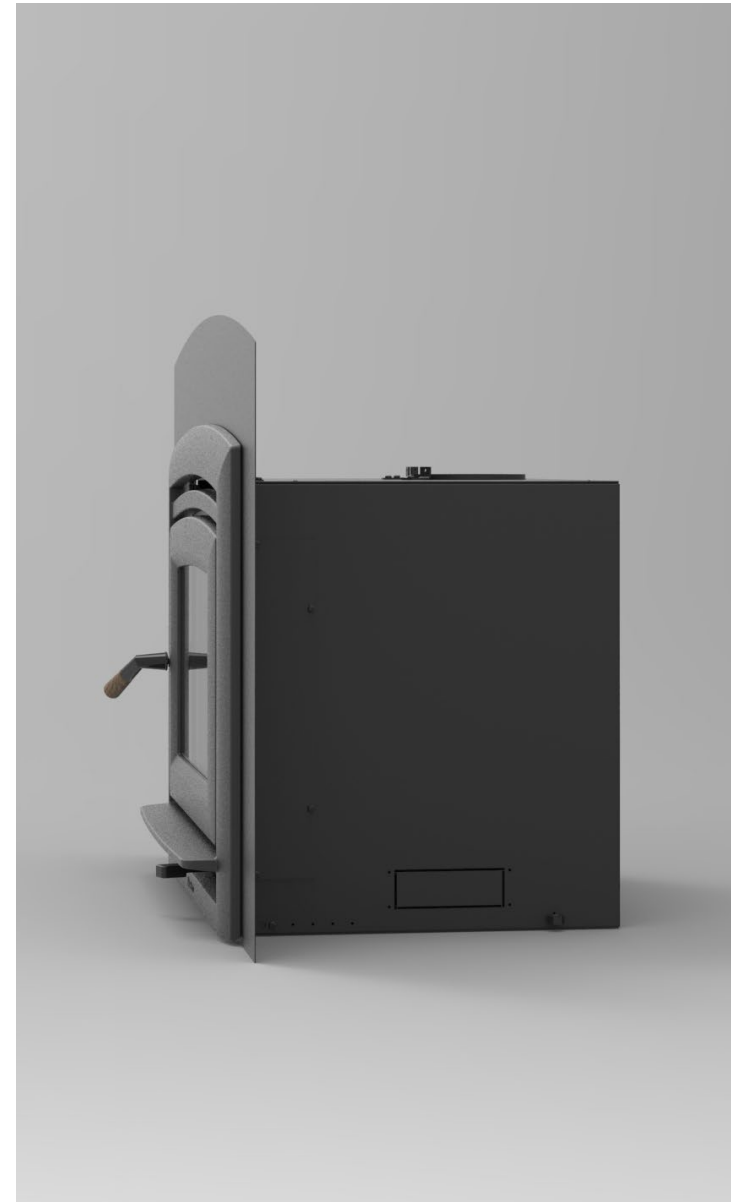




# Green Mountain Insert 70

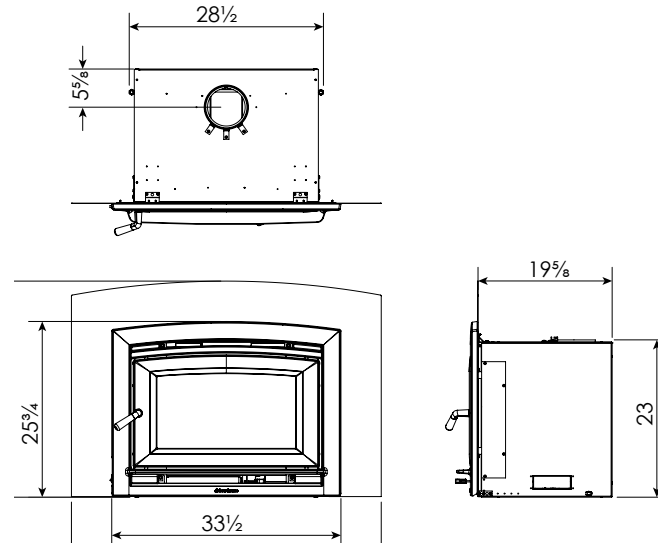
2020 wood burning fireplace insert





# Green Mountain Insert 70

2020 wood burning fireplace insert



## GMI70 Model 8450

### FEATURES AND BENEFITS

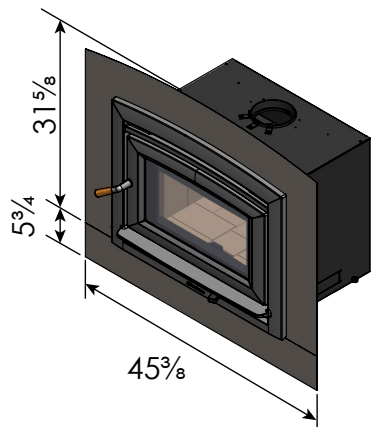
- **Soapstone-Lined Firebox**  
Extended HeatLife
- **Cast Iron Face and Door**  
Unequaled durability and style
- **Smooth Firebox Floor**  
User friendly ash removal
- **Single Lever Stove Control**  
Easy operation, constant performance

### SPECIFICATIONS

Heats up to ..... 2,000 sq ft  
 Firebox Capacity ..... 2.4 cu ft  
 Max. BTUs ..... Up to 75,000  
 Maximum Log Length ..... 20"  
 Flue Exit & Diameter ..... 6"  
 Convection Blower ..... Included  
 Actual Weight ..... 428 lbs.

#### Options: Lower Surround Panel

4 sided surround for installation in a raised hearth.



#### Surround Extension

Filler panels for installation in a shallow hearth.

Extension parts can be used to space the surround back from the face plate either 4 inches or 2 inches.

