

Eclipse DV GAS STOVE by hase



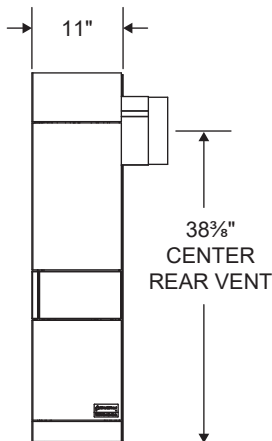
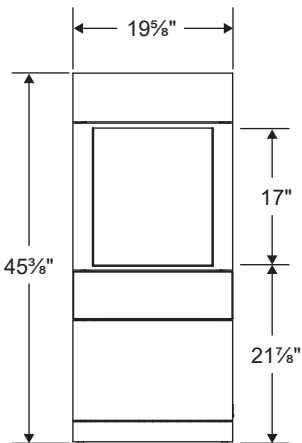
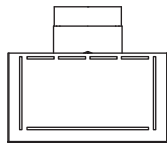
ECLIPSE MODEL 8901 SATIN BLACK + SOAPSTONE

Modern Freestanding Gas Fireplace, Ventless And Direct Vent.



Access the valve by removing the soapstone panel

Thermostatic, programmable Remote Control



ECLIPSE MODEL 8906 FEATURES AND BENEFITS VENTLESS STOVE

- **Reflective Black Enamel Interior** - Magnifies the glow and depth of the fire
- **Child-Safe Certified Glass Barriers** - Ensures safety within your home
- **Remote Control** - Offers flame adjustment, thermostatic mode, programmable timer
- **Glass media** - Ebony reflective glass included standard with all fireplaces, 6 additional media options available for purchase
- **On-Demand Ignition System** - Conserves energy in warm weather, provides reliability in cold weather
- **Secure Battery Power** - No 110V power needed, ever.

SPECIFICATIONS

Heats up to	700 sq ft
Steady State Efficiency	99% NG / LP
P.4.1.09 Fireplace Efficiency	N/A
Burn Rate Range NG	16,000-12,500 BTUs/hr
Burn Rate Range LP	18,000-11,500 BTUs/hr
Fuel	Order NG or LP
Venting	N/A
Ignition System	Maxitrol GV60
Linear Burner	Ebony Glass media included
Remote Control	Included
CPSC Safety Screens	Included
Weight	165 lbs.

ACCESSORIES

Wall Touch Pad	7000-260
A/C Adaptor	7000-070
6 Additional Glass media colors available	
- See the accessoires page for details	

CLEARANCES

Clearance to combustible surfaces	
Rear	0
Side	6" (152mm)
Corner	6" (152mm)
Floor Protection:	
Non-combustible surface or wood floor	

ECLIPSE MODEL 8901 FEATURES AND BENEFITS DIRECT VENT STOVE

- **Reflective Black Enamel Interior** - Magnifies the glow and depth of the fire
- **Child-Safe Certified Glass Barriers** - Ensures safety within your home
- **Remote Control** - Offers flame adjustment, thermostatic mode, programmable timer
- **Glass media** - Ebony reflective glass included standard with all fireplaces, 6 additional media options available for purchase
- **On-Demand Ignition System** - Conserves energy in warm weather, provides reliability in cold weather
- **Secure Battery Power** - No 110V power needed, ever.
- **Direct-Vent Technology** - Draws combustion air from outside to reduce drafts and maintain indoor air quality

SPECIFICATIONS

Heats up to	700 sq ft
Steady State Efficiency	79.0% NG / 77.8% LP
P.4.1.09 Fireplace Efficiency	56.2% NG / 47.8% LP
Burn Rate Range NG	13,500-7,500 BTUs/hr
Burn Rate Range LP	13,500-7,500 BTUs/hr
Fuel	Order NG or LP
Venting	Rear, 4" x 6-5/8" DV
Ignition System	Maxitrol GV60
Linear Burner	Ebony Glass media included
Remote Control	Included
CPSC Safety Screens	Included
Weight	165 lbs.

ACCESSORIES

Wall Touch Pad	7000-260
A/C Adaptor	7000-070
6 Additional Glass media colors available	
- See the accessoires page for details	

CLEARANCES

Clearance to combustible surfaces	
Rear	0
Side	6" (152mm)
Corner	6" (152mm)
Floor Protection:	
Non-combustible surface or wood floor	