

Green Mountain 40 TruHybrid™ Wood Stove



GREEN MOUNTAIN 40 TruHybrid™ MODEL 8640 MATTE BLACK

This wood-burning appliance meets 2020 U.S. Environmental Protection Agency clean air standards.



FINISH OPTIONS:



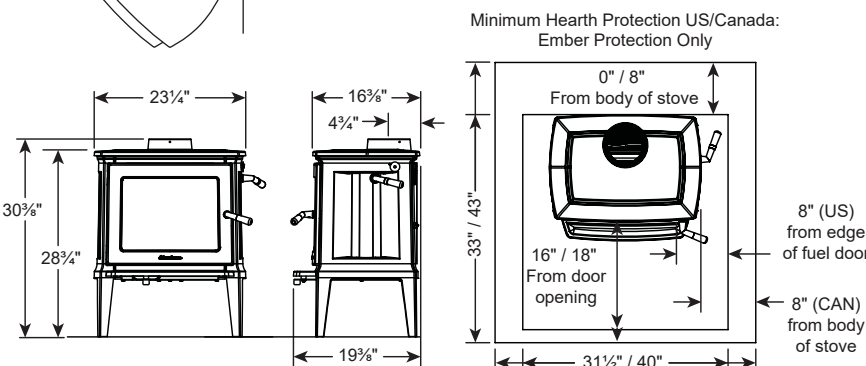
Matte Black

Green Mountain 40 featured with Matte Black finish.



CLEARANCE TO COMBUSTIBLE MATERIALS

	Single-wall connector pipe, with included heat shield	Double-wall connector pipe*, with blower kit heat shield
A	13"	13"
B	9"	7"
C	14"	12"
D	6"	6"
E	16.5"	16.5"



SPECIFICATIONS

Burn Time	16+ hrs
EPA Certified	0.9 g/hr
Heats up to	1,400 sq ft
Firebox Capacity	1.32 cu ft
BTU	Up to 40,000
Efficiency	86% LHV, 79% HHV
Maximum Log Length	16"
Flue Diameter	Top - 6"
Ash Pan	n/a
Actual Weight	464 lbs.
Alcove Certified	Yes
Mobile Home Certified	Yes

ACCESSORIES

Convection Blower	96-57400
Outside Air Adapter	96-53400

Note: Clearance measurements refer to the top of the stove.

* Connector pipe clearances may vary. Refer to manufacturer's specifications.

Note: Always refer to the HearthStone Owner's Manual and the local Authority Having Jurisdiction in your area for the specific installation requirements for your product.